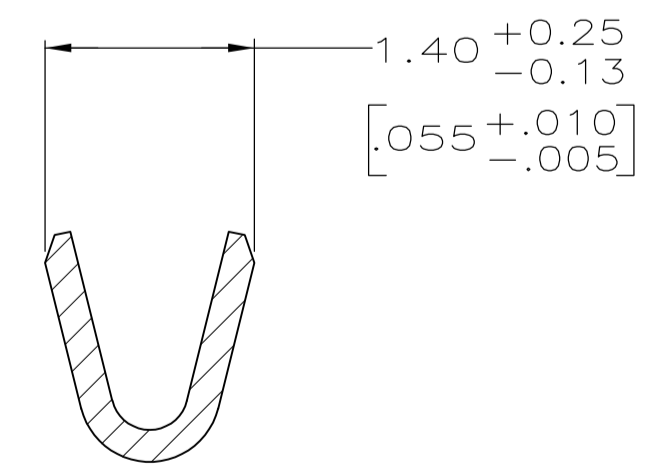


SECTION X-X  
 INSULATION BARREL  
 SCALE 20:1



SECTION Y-Y  
 WIRE BARREL  
 SCALE 20:1

- 1 FOR MINI-APPLICATOR AND STRIPPER CRIMPER.
- 2 FOR HAND TOOL USE ONLY.
- 3. WIRE RANGE OF 24-28, INSULATION RANGE OF .030-.040.
- 4. TIN PLATING MAY NOT APPEAR ON CARRIER STRIP.
- 5 GOLD FLASH IN LOCALIZED GOLD PLATE AREA, 2.54µm [.000100] MIN TIN ON WIRE BARRELS, ALL OVER 0.76µm [.000030] MIN NICKEL UNDERPLATE.
- 6 GOLD FLASH IN LOCALIZED GOLD PLATED AREA, 0.76µm [.000030] MIN TIN ON WIRE BARRELS, ALL OVER 0.76µm [.000030] MIN NICKEL UNDERPLATE.
- 7 GOLD PLATED IN LOCALIZED GOLD PLATE AREA AS FOLLOWS:  
 0.76µm [.000030] MIN GOLD IN MATED AREA,  
 2.54µm [.000100] MIN TIN ON WIRE BARRELS, ALL OVER  
 1.27µm [.000050] MIN NICKEL UNDERPLATE.  
 OR  
 GOLD FLASH OVER  
 PALLADIUM-NICKEL PLATE, 0.76µm [.000030] MIN TOTAL IN MATED AREA,  
 2.54µm [.000100] MIN TIN ON WIRE BARRELS, ALL OVER  
 1.27µm [.000050] MIN NICKEL UNDERPLATE.
- 8 FOR STANDARD APPLICATOR ONLY.

FINISH	USE	TYPE	PART NUMBER
7	8	STRIP	1658540-6
7	8	LOOSE PIECE	1658540-5
7	1	STRIP	1658540-4
6	1	STRIP	1658540-3
6	1	LOOSE PIECE	1658540-2
5	1	STRIP	1658540-1

THIS DRAWING IS A CONTROLLED DOCUMENT.

DIMENSIONS: mm [INCHES]	TOLERANCES UNLESS OTHERWISE SPECIFIED:	0 PLC ± -	1 PLC ± -	2 PLC ± 0.13 [.005]	3 PLC ± -	4 PLC ± -	ANGLES ± -
MATERIAL: BRASS	FINISH: SEE TABLE	WEIGHT: -	SIZE: A1	CAGE CODE: 00779	DRAWING NO: 1658540	RESTRICTED TO: -	SCALE: 10:1

APPROVED: M. WALMSLEY  
 DATE: 11-17-04  
 PRODUCT SPEC: 108-40005  
 APPLICATION SPEC: 114-10000

Tyco Electronics Corporation  
 Harrisburg, PA 17105-3608

PIN CONTACT, 20 DF, 24-28 AWG, AMPLIMITE

CUSTOMER DRAWING